

PITCHING INSTRUCTIONS

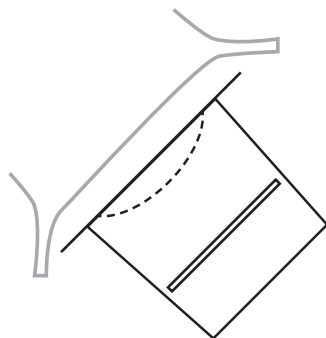
Your tent includes:

- 11 x pegs
- 2 x guy ropes
- 1 x BLACK fibreglass pole (4370mm x 9.5mm)

1. Once your Kiwi Camping Savanna 3.5 Shelter is pitched on dry level site and clear of any sharp objects, remove the Pod from its carry bag, untie fabric ties and unroll the Pod.

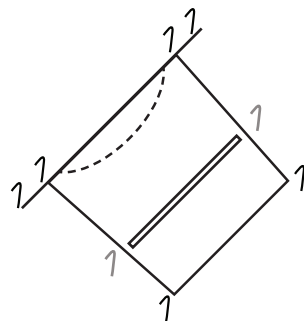


2. Lay the Pod next to the shelter with the Pod door facing into the shelter.



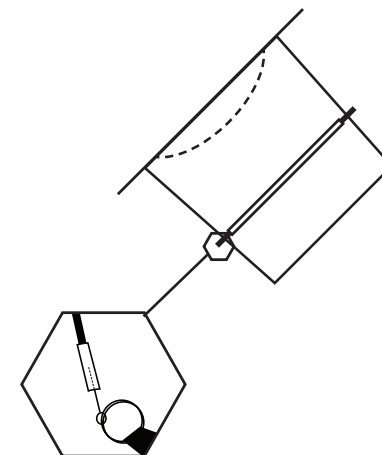
3. Zip the Pod onto your Savanna 3.5 Shelter starting at the base and zipping up to meet in the centre. Attach the toggle at the top centre of the shelter.

4. Peg out the four corners of Pod starting at the front (closest to the shelter). Line up the pegs with the shelter webbing. The floor webbing and fly shock cord both use the same peg.



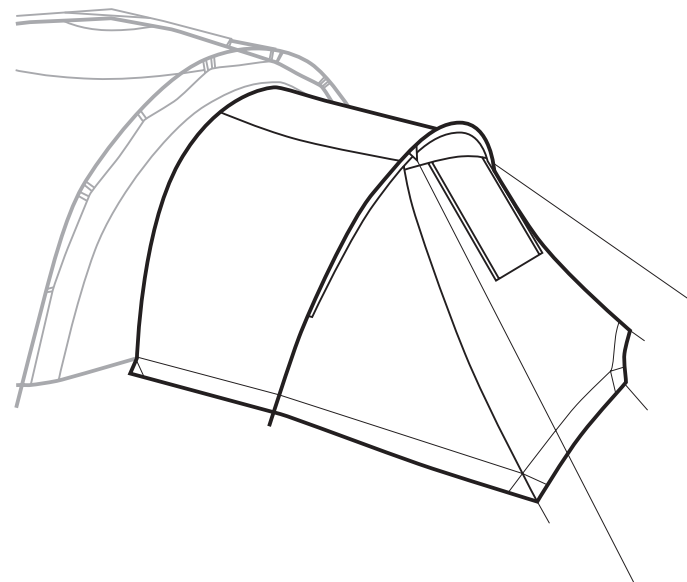
5. Peg out sides of the Pod, including the floor webbing and fly shock cord.

6. Assemble the BLACK fibreglass pole by interlocking the sections and thread through the power mesh pole sleeve. Fit onto the pin and ring fitting on the floor.



7. Peg out the centre back pegging point.

8. Finally, rope out the guy ropes and fine tune the Pod so it remains taut and is positioned correctly.



REVERSE THE PROCEDURE TO LOWER THE TENT

PACKING INSTRUCTIONS

Pack the pole and pegs into their bags. Evenly lay out the Pod. Fold the pod from each side to the centre. Adjust to the length of the poles. Place the poles onto the folded pod and roll them inside so that the floor is on the outside. Store and pack the pod in its bag.

POD CARE INSTRUCTIONS

PLEASE READ ALL OF THE POD CARE INFORMATION AND INSTRUCTIONS INCLUDED WITH THIS POD BEFORE USING YOUR POD FOR THE FIRST TIME.

1. Before you use your new pod, fully unpack and pitch it at home. It is important to familiarise yourself with the set up procedure and the various features.
2. Select a site that is level, clear of any sharp objects, is dry, will drain well if it rains and is protected from wind and other elements.
3. Keep clear of overhead power lines and trees when setting up your shelter and pod.
4. For best and easiest results, enlist the help of at least one other person to assist in pitching the pod.
5. Keep all flame and heat sources away from fabric. Do not use open flame or gas appliances in or near your pod.
6. Do not use aerosol sprays or any solvent based products in or around your pod as these could damage the fabric or special coatings. These products include but are not limited to: repellent spray, hair sprays, alcohol, detergents, fly spray, petrol, kerosene etc.
7. Please note, the warranty on this pod will be deemed void if the product is used for any purpose other than a temporary, recreational use pod.
8. Especially in windy conditions, it is essential that you attach guy ropes and fasten them to the ground. We suggest you insert the pegs into the ground at a 45° angle towards the pod, not straight down. Please note, your pod will not be covered under warranty if wind damage occurs.
9. Use all of the guy ropes and pegs included to ensure your pod is secure and to prevent damage to both yourself, your shelter and your pod. Check guy ropes/pegs daily.
10. To clean your pod only ever use a soft sponge and warm water. DO NOT use excess force or other harsh cleaners to remove marks from pod.
11. Ensure the pod is completely dry and clean before storing away and ensure to store it in a dry environment.

IMPORTANT

1. Under certain conditions (cold weather, high humidity etc.) condensation may form on the inside of your pod. Condensation can occur for many reasons including vapour from your breath, perspiration, cooking nearby or wet clothing inside your shelter. This does NOT mean your pod is leaking through the fabric. You can minimise condensation by airing out your pod during the day and by removing any wet clothing/towels etc.

2. Try to avoid pitching your shelter and pod under trees as tree limbs, falling leaves, sap, bird droppings or excess water dripping from the trees can cause damage to the shelter fabric and its special coatings resulting in leakage or discolouration.
3. Only remove the pod pegs by pulling on the peg itself. NEVER pull on the pod or the webbing loops to remove pegs as it could result in damage to the pod or personal injury.
4. DO NOT leave pod pitched for weeks at a time as extended exposure to the sun's ultraviolet rays can damage and/or cause it to discolour. Your pod will not be covered under warranty if you leave it up for many weeks at a time.

STORAGE

1. NEVER store your pod wet or dirty (even for short periods of time).
2. NEVER store your pegs or poles inside your pod. Always use the separate bags they are supplied in.
3. You may want to insure your shelter against loss or damage.

WARRANTY INFORMATION

The warranty period for this pod is found on the packaging and full details are on the Kiwi Camping website - www.kiwicamping.co.nz.

KEY POINTS:

The original purchaser of this product is offered a warranty if during this time period the product fails due to a fault in either materials or workmanship. Service under this warranty is available by returning the product, with your proof of purchase, to where it was purchased. If after inspection it is determined that the product is defective, we will repair or replace it (at our discretion) free of charge. This warranty does not cover misuse, damage caused by accident, storm or wind damage, mildew, neglect, UV degradation and fair wear and tear. Please note, the warranty on this tent will be deemed void if the product is used for any purpose other than a temporary shelter. If the claim is not deemed a warranty or is outside it's warranty period, we can repair the product at a nominal cost.



Distributed by:
Aber Living, Hamilton, NZ
www.kiwicamping.co.nz

5224-06/20